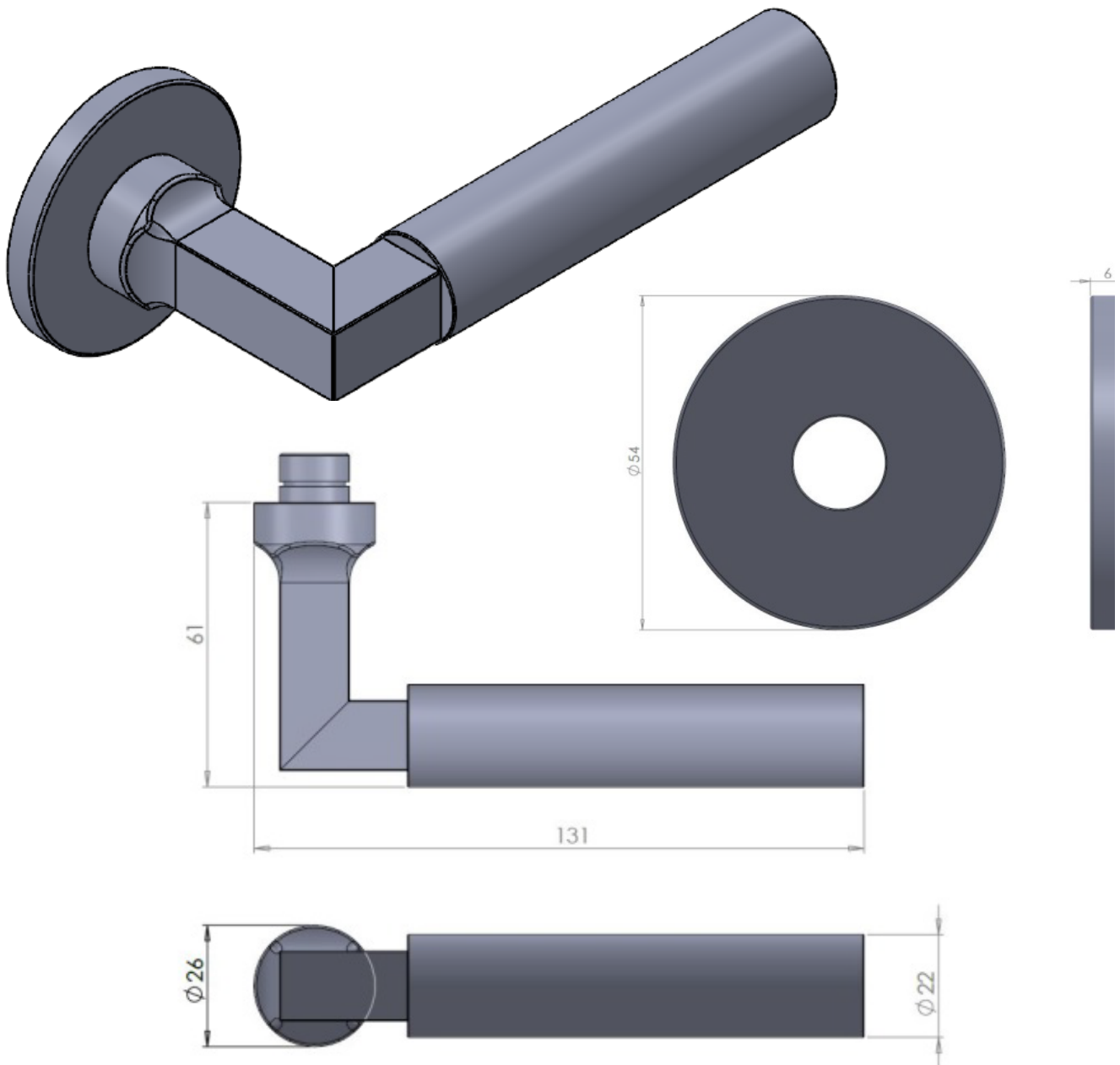


SWD

BESPOKE



Product: Churchfield Lever on Rose - SWD-BL1/RR1

Weight: Pair 1060g (heavy sprung lock required). **Material:** Solid Brass

Finishes Available:

PNP - Polished Nickel, SNP - Satin Nickel, SPB - Satin Brass, EPB - Polished Brass,
ABR - Antique Brass, OBZ - Old Bronze, IBU - Mid Bronze, DBZ - Dark Bronze,
ABZ - Satin Copper, PBZ - Polished Copper
Other finishes are available on request

Unit 15, Island Farm Avenue, West Molesey, Surrey, KT8 2UZ | T. 01932 851 081

www.swdbespokehardware.com